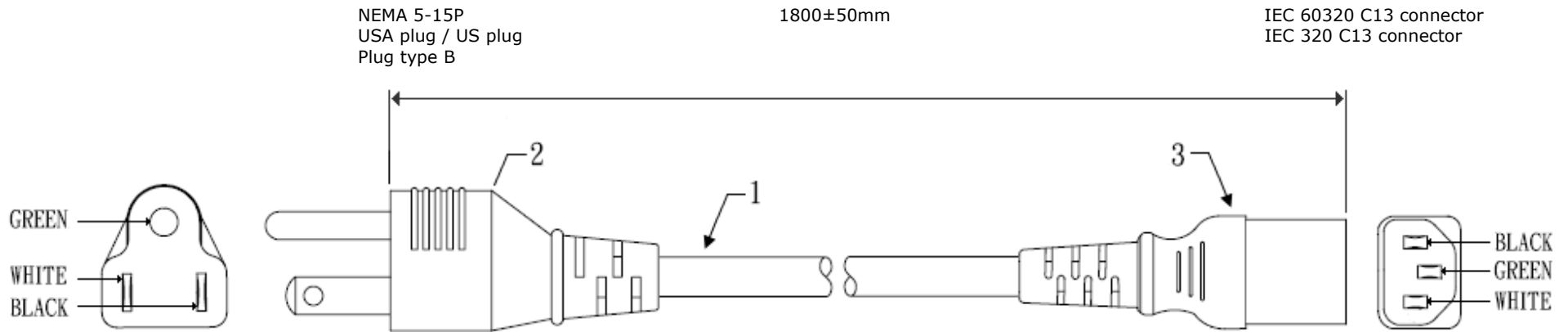


POWER CORD / POWER CABLE FOR USA

PAGE	CONTAINS
→ 2	
→ 3	
→ 4	
→ 5	
→ 6	
→ 7	

Power cord / power cable for USA

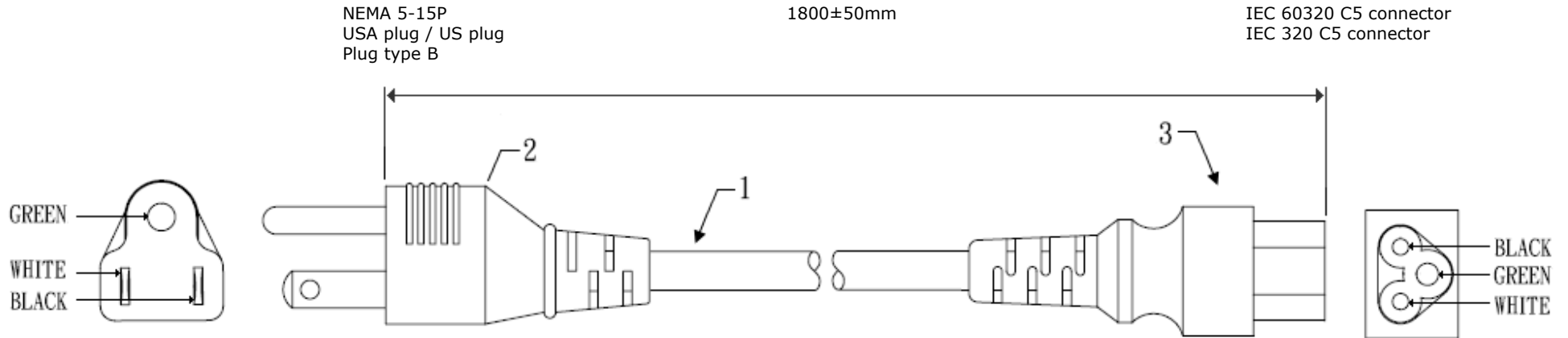


Item	Description	Qty
1	SVT 3x18 AWG	1
2	Moulded USA plug 15A/125V	1
3	Moulded IEC 60320 C13 connector / IEC 320 C13 connector 10A/125V	1

THESE DRAWINGS AND SPECIFICATIONS OF THE POWER CORD / POWER CABLE FOR USA ARE PROPERTY OF 2E INTERCONNECTION AND SHALL NOT BE REPRODUCED, COPIED OR USED IN ANY MANNER WITHOUT THE WRITTEN PERMISSION OF 2E INTERCONNECTION.

DESCRIPTION	: Power cord / power cable for USA, IEC 60320 / IEC 320 C13 connector, 1800mm, black		
PARTNUMBER	: 0000-001-101		REVISION
DATE	UNIT	MM	DRAWN
SIZE	A4	SCALE	APRD.

Power cord / power cable for USA

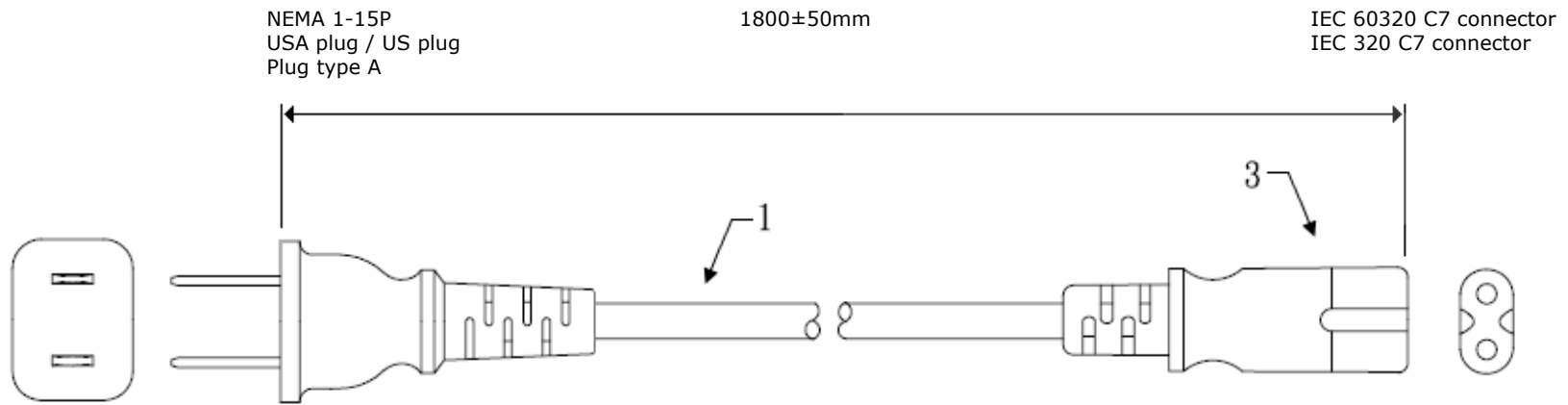


Item	Description	Qty
1	SVT 3x18 AWG	1
2	Moulded US plug 15A/125V	1
3	Moulded IEC 60320 C5 connector / IEC 320 C5 connector 10A/125V	1

THESE DRAWINGS AND SPECIFICATIONS OF THE POWER CORD / POWER CABLE FOR USA ARE PROPERTY OF 2E INTERCONNECTION AND SHALL NOT BE REPRODUCED, COPIED OR USED IN ANY MANNER WITHOUT THE WRITTEN PERMISSION OF 2E INTERCONNECTION.

DESCRIPTION	: Power cord / power cable for USA, IEC 60320 / IEC 320 C5 connector, 1800mm, black		
PARTNUMBER	: 0000-001-102		REVISION
DATE		UNIT	MM
SIZE	A4	SCALE	APRD.

Power cord / power cable for USA

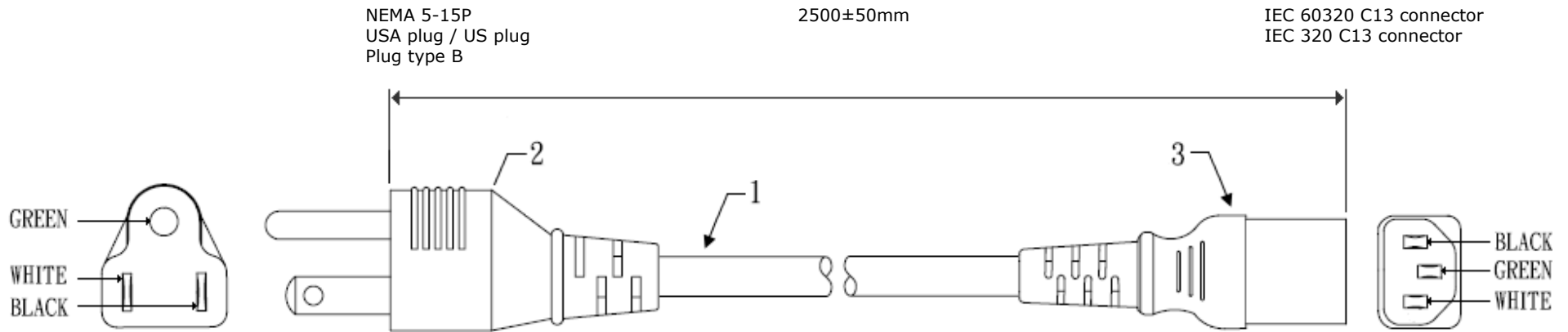


Item	Description	Qty
1	SPT-1, 2x18 AWG	1
2	Moulded USA plug 10A/125V	1
3	Moulded IEC 60320 C7 connector / IEC 320 C7 connector 10A/125V	1

THESE DRAWINGS AND SPECIFICATIONS OF THE POWER CORD / POWER CABLE FOR USA ARE PROPERTY OF 2E INTERCONNECTION AND SHALL NOT BE REPRODUCED, COPIED OR USED IN ANY MANNER WITHOUT THE WRITTEN PERMISSION OF 2E INTERCONNECTION.

DESCRIPTION	: Power cord / power cable for USA, IEC 60320 / IEC 320 C7 connector, 1800mm, black		
PARTNUMBER	: 0000-001-103		REVISION
DATE		UNIT	MM
SIZE	A4	SCALE	APRD.

Power cord / power cable for USA

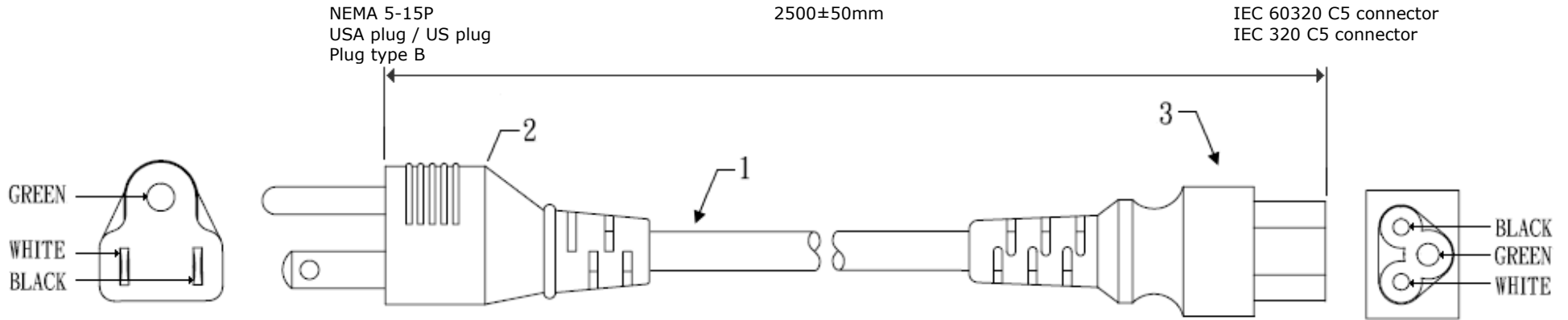


Item	Description	Qty
1	SVT 3x16 AWG	1
2	Moulded USA plug 15A/125V	1
3	Moulded IEC 60320 C13 connector / IEC 320 C13 connector 10A/125V	1

THESE DRAWINGS AND SPECIFICATIONS OF THE POWER CORD POWER CABLE FOR USA ARE PROPERTY OF 2E INTERCONNECTION AND SHALL NOT BE REPRODUCED, COPIED OR USED IN ANY MANNER WITHOUT THE WRITTEN PERMISSION OF 2E INTERCONNECTION.

DESCRIPTION	:	Power cord / power cable for USA, IEC 60320 / IEC 320 C13 connector, 2500mm, black			
PARTNUMBER	:	0000-001-105	REVISION		
DATE		UNIT	MM	DRAWN	
SIZE	A4	SCALE		APRD.	

Power cord / power cable for USA

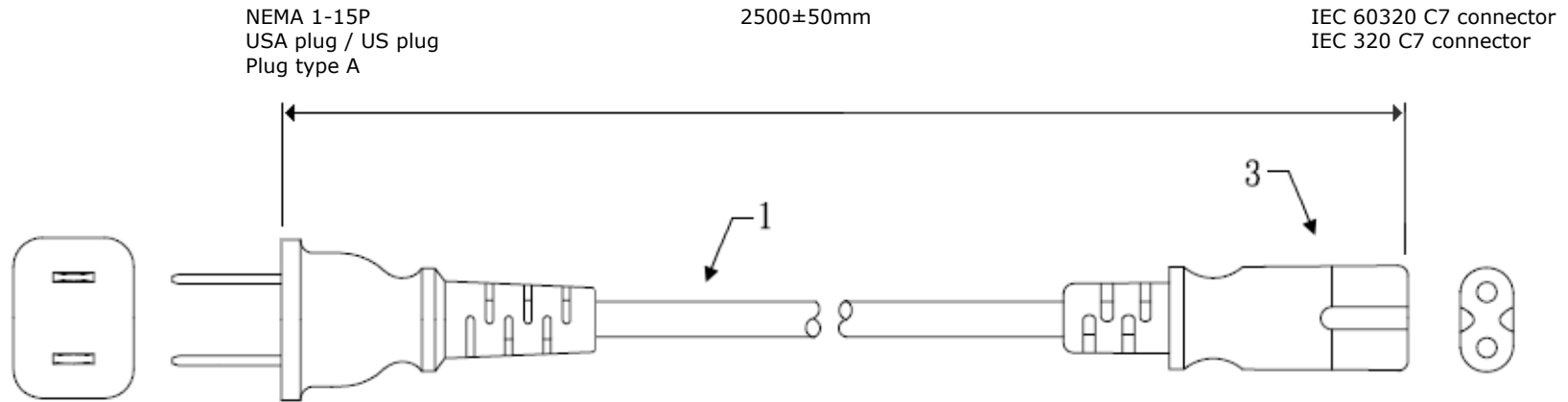


Item	Description	Qty
1	SVT 3x16 AWG	1
2	Moulded USA plug 15A/125V	1
3	Moulded IEC 60320 C5 connector / IEC 320 C5 connector 10A/250V	1

THESE DRAWINGS AND SPECIFICATIONS OF THE POWER CORD / POWER CABLE FOR USA ARE PROPERTY OF 2E INTERCONNECTION AND SHALL NOT BE REPRODUCED, COPIED OR USED IN ANY MANNER WITHOUT THE WRITTEN PERMISSION OF 2E INTERCONNECTION.

DESCRIPTION	:	Power cord / power cable for USA, IEC 60320 / IEC 320 C5 connector, 2500mm, black	REVISION	
PARTNUMBER	:	0000-001-106	DRAWN	
DATE		UNIT	MM	APRD.
SIZE	A4	SCALE		

Power cord / power cable for USA



Item	Description	Qty
1	SPT-1, 2x16 AWG	1
2	Moulded USA plug 10A/125V	1
3	Moulded IEC 60320 C7 connector / IEC 320 C7 connector 10A/125V	1

THESE DRAWINGS AND SPECIFICATIONS OF THE POWER CORD / POWER CABLE FOR USA ARE PROPERTY OF 2E INTERCONNECTION AND SHALL NOT BE REPRODUCED, COPIED OR USED IN ANY MANNER WITHOUT THE WRITTEN PERMISSION OF 2E INTERCONNECTION.

DESCRIPTION	: Power cord / power cable for USA, IEC 60320 / IEC 320 C7 connector, 2500mm, black		
PARTNUMBER	: 0000-001-107		
DATE		UNIT	MM
SIZE	A4	SCALE	APRD.
			REVISION
			DRAWN