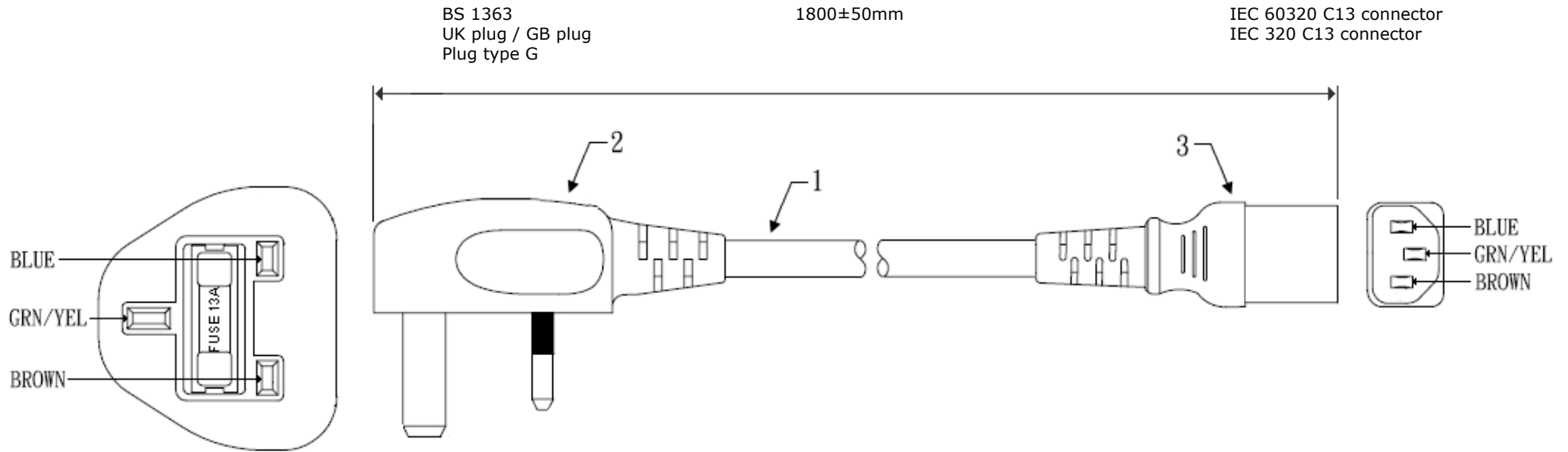


**POWER CORD / POWER CABLE FOR UNITED KINGDOM**

PAGE	CONTAINS
→ 2	
→ 3	
→ 4	
→ 5	
→ 6	
→ 7	

## Power cord / power cable for United Kingdom

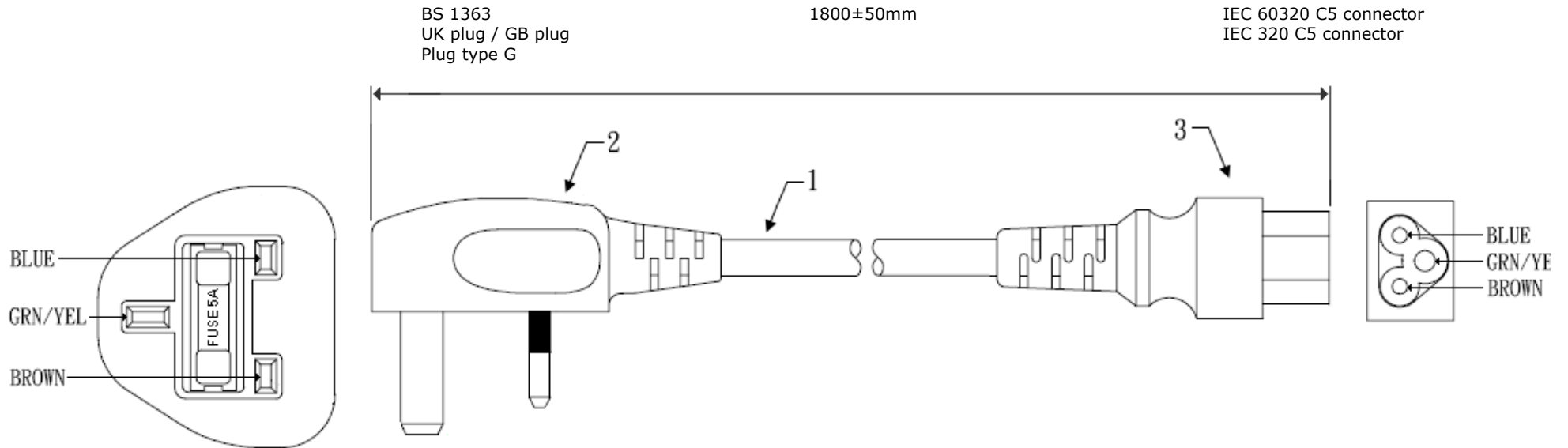


Item	Description	Qty
1	H05VV-F, 3x0.75mm <sup>2</sup>	1
2	Moulded UK plug 16A/250V fused 13A	1
3	Moulded IEC 60320 C13 connector / IEC 320 C5 connector 10A/250V	1

**THESE DRAWINGS AND SPECIFICATIONS OF THE POWER CORD / POWER CABLE FOR UNITED KINGDOM ARE PROPERTY OF 2E INTERCONNECTION AND SHALL NOT BE REPRODUCED, COPIED OR USED IN ANY MANNER WITHOUT THE WRITTEN PERMISSION OF 2E INTERCONNECTION.**

DESCRIPTION	: Power cord / power cable for United Kingdom, IEC 60320 / IEC 320 C13 connector, 1800mm, black		
PARTNUMBER	: 0000-044-101		REVISION
DATE	UNIT	MM	DRAWN
SIZE	A4	SCALE	APRD.

### Power cord / power cable for United Kingdom



Item	Description	Qty
1	H05VV-F, 3x0.75mm <sup>2</sup>	1
2	Moulded UK plug 16A/250V fused 5A	1
3	Moulded IEC 60320 C5 connector / IEC 320 C5 connector 2.5A/250V	1

**THESE DRAWINGS AND SPECIFICATIONS OF THE POWER CORD / POWER CABLE FOR UNITED KINGDOM ARE PROPERTY OF 2E INTERCONNECTION AND SHALL NOT BE REPRODUCED, COPIED OR USED IN ANY MANNER WITHOUT THE WRITTEN PERMISSION OF 2E INTERCONNECTION.**

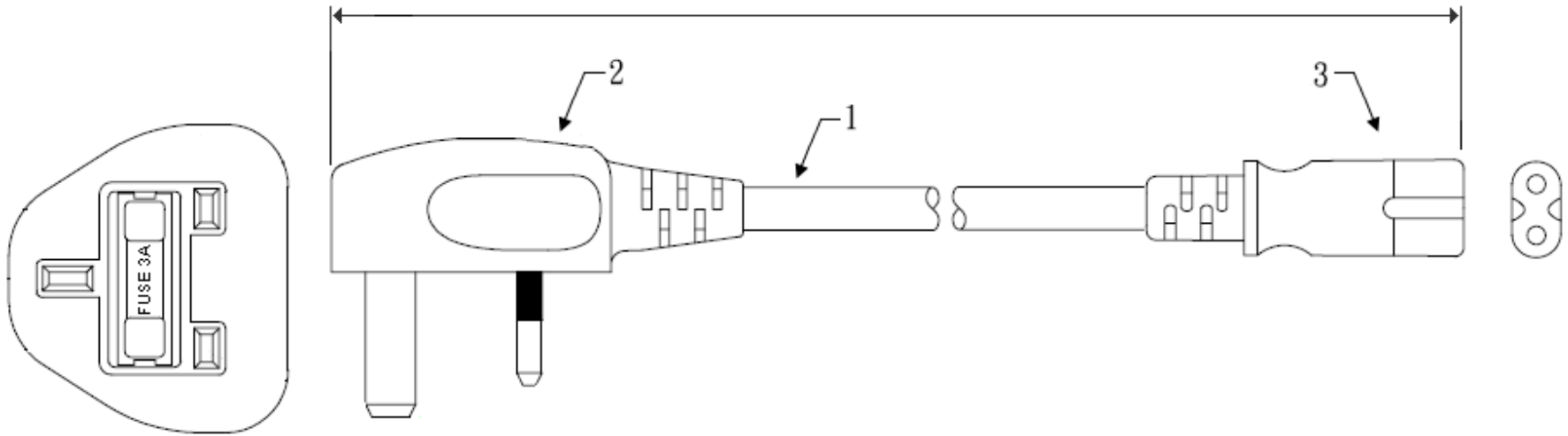
DESCRIPTION	: Power cord / power cable for United Kingdom, IEC 60320 / IEC 320 C5 connector, 1800mm, black		
PARTNUMBER	: 0000-044-102		REVISION
DATE	UNIT	MM	DRAWN
SIZE	A4	SCALE	APRD.

## Power cord / power cable for United Kingdom

BS 1363  
UK plug / GB plug  
Plug type G

1800±50mm

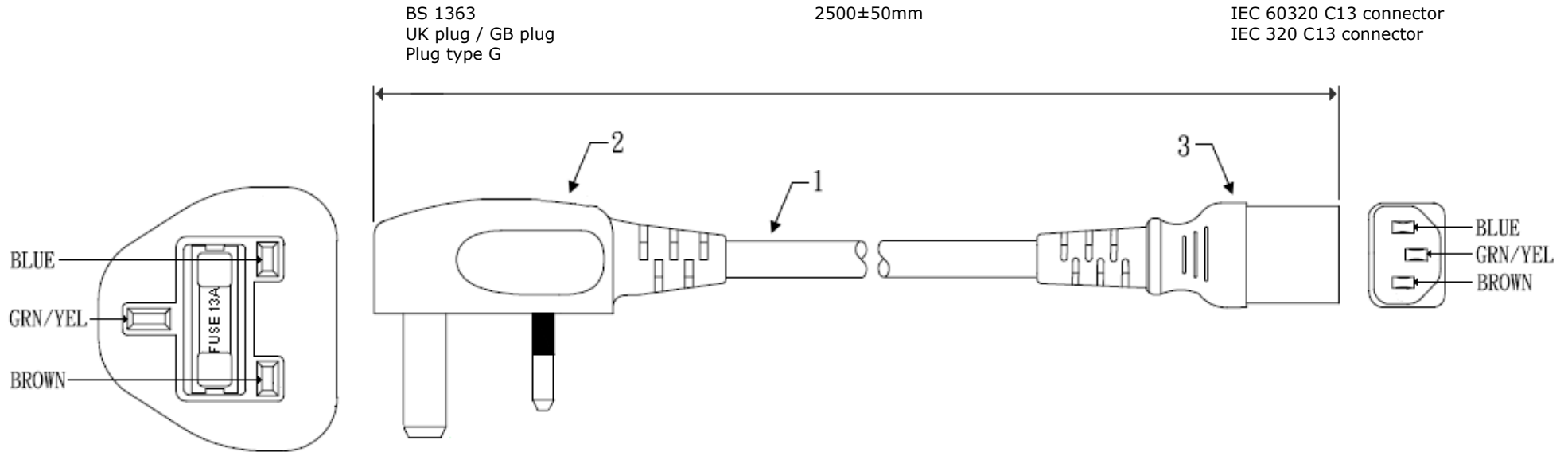
IEC 60320 C7 connector  
IEC 320 C7 connector



Item	Description	Qty
1	H03VVH2-F, 2x0.75mm <sup>2</sup>	1
2	Moulded UK plug 16A/250V fused 3A	1
3	Moulded IEC 60320 C7 connector / IEC 320 C7 connector 3A/250V	1

**THESE DRAWINGS AND SPECIFICATIONS OF THE POWER CORD / POWER CABLE FOR UNITED KINGDOM ARE PROPERTY OF 2E INTERCONNECTION AND SHALL NOT BE REPRODUCED, COPIED OR USED IN ANY MANNER WITHOUT THE WRITTEN PERMISSION OF 2E INTERCONNECTION.**

DESCRIPTION	: Power cord / power cable for United Kingdom, IEC 60320 / IEC 320 C7 connector, 1800mm, black			
PARTNUMBER	: 0000-044-103		REVISION	
DATE		UNIT	MM	DRAWN
SIZE	A4	SCALE		APRD.

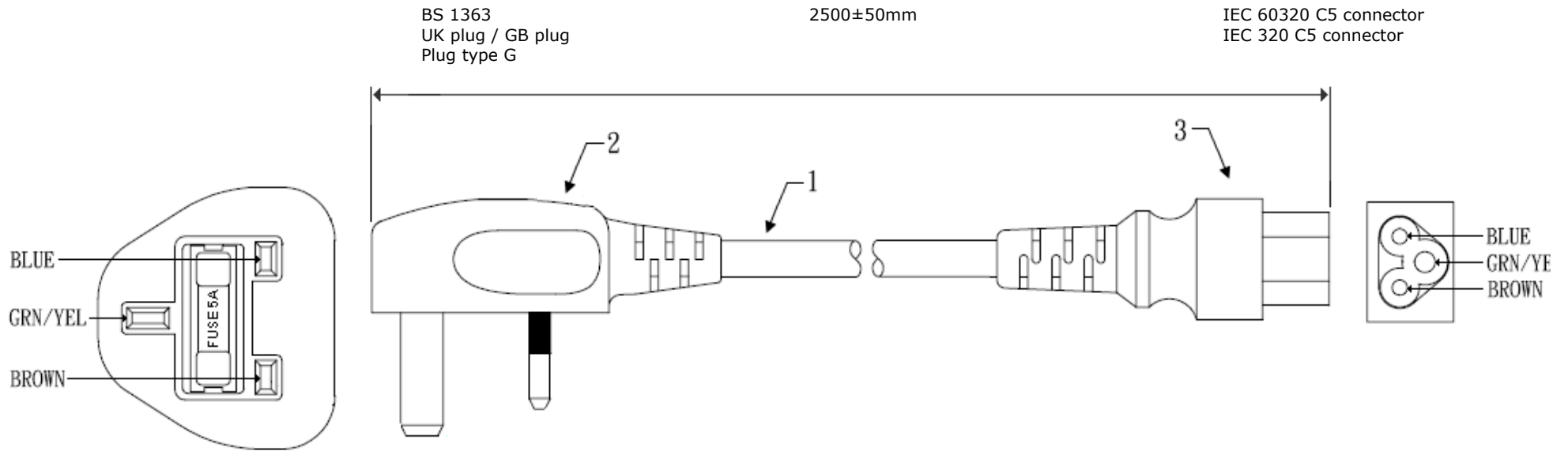
**Power cord / power cable for United Kingdom**


Item	Description	Qty
1	H05VV-F, 3x1.00mm <sup>2</sup>	1
2	Moulded UK plug 16A/250V fused 13A	1
3	Moulded IEC 60320 C13 connector / IEC 320 C13 connector 10A/250V	1

**THESE DRAWINGS AND SPECIFICATIONS OF THE POWER CORD / POWER CABLE FOR UNITED KINGDOM ARE PROPERTY OF 2E INTERCONNECTION AND SHALL NOT BE REPRODUCED, COPIED OR USED IN ANY MANNER WITHOUT THE WRITTEN PERMISSION OF 2E INTERCONNECTION.**

DESCRIPTION	: Power cord / power cable for United Kingdom, IEC 60320 / IEC 320 C13 connector, 2500mm, black		
PARTNUMBER	: 0000-044-105		REVISION
DATE		UNIT	MM
SIZE	A4	SCALE	APRD.

### Power cord / power cable for United Kingdom

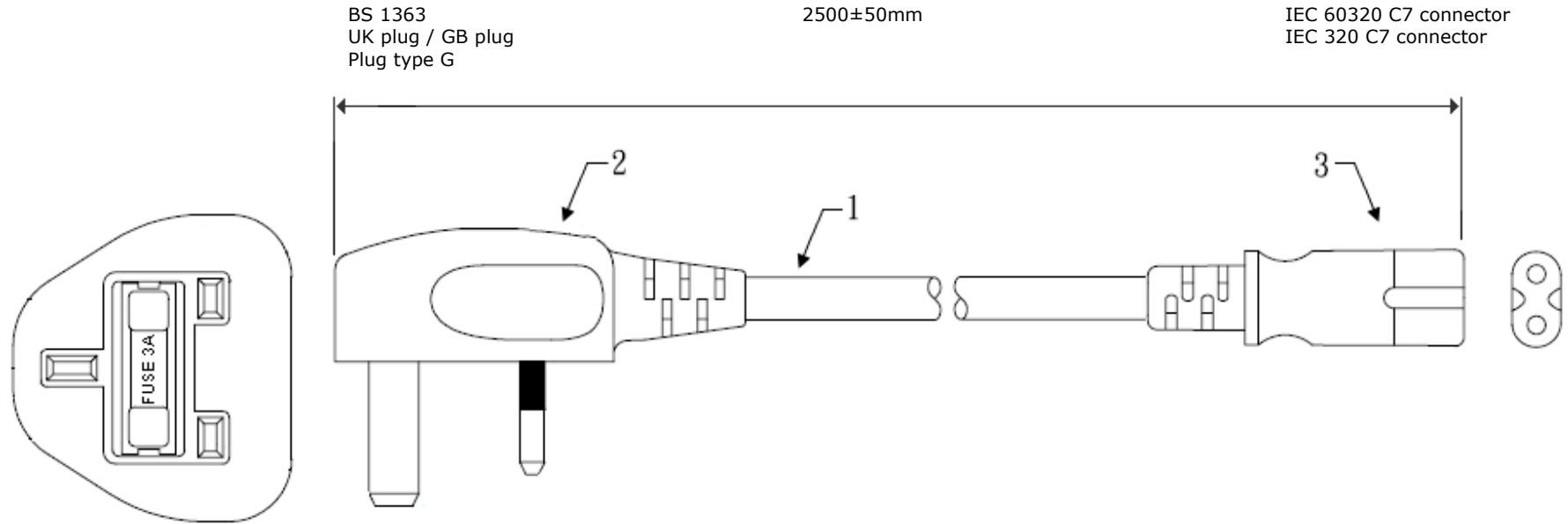


Item	Description	Qty
1	H05VV-F, 3x1.00mm <sup>2</sup>	1
2	Moulded UK plug 16A/250V fused 5A	1
3	Moulded IEC 60320 C5 connector / IEC 320 C5 connector 3A/250V	1

**THESE DRAWINGS AND SPECIFICATIONS OF THE POWER CORD / POWER CABLE FOR UNITED KINGDOM ARE PROPERTY OF 2E INTERCONNECTION AND SHALL NOT BE REPRODUCED, COPIED OR USED IN ANY MANNER WITHOUT THE WRITTEN PERMISSION OF 2E INTERCONNECTION.**

DESCRIPTION	: Power cord / power cable for United Kingdom, IEC 60320 / IEC 320 C5 connector, 2500mm, black		
PARTNUMBER	: 0000-044-106		REVISION
DATE	UNIT	MM	DRAWN
SIZE	A4	SCALE	APRD.

## Power cord / power cable for United Kingdom



Item	Description	Qty
1	H03VVH2-F, 2x1.00mm <sup>2</sup>	1
2	Moulded UK plug 16A/250V fused 3A	1
3	Moulded IEC 60320 C7 connector / IEC 320 C7 connector 3A/250V	1

**THESE DRAWINGS AND SPECIFICATIONS OF THE POWER CORD / POWER CABLE FOR UNITED KINGDOM ARE PROPERTY OF 2E INTERCONNECTION AND SHALL NOT BE REPRODUCED, COPIED OR USED IN ANY MANNER WITHOUT THE WRITTEN PERMISSION OF 2E INTERCONNECTION.**

DESCRIPTION	: Power cord / power cable for United Kingdom, IEC 60320 / IEC 320 C7 connector, 2500mm, black				
PARTNUMBER	: 0000-044-107			REVISION	
DATE		UNIT	MM	DRAWN	
SIZE	A4	SCALE		APRD.	