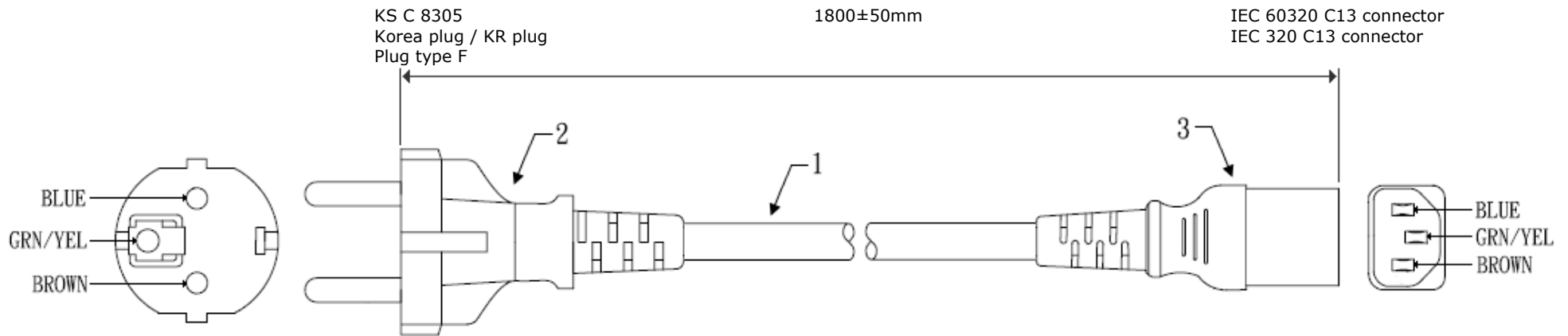


## POWER CORD / POWER CABLE FOR KOREA

PAGE	CONTAINS
→ 2	
→ 3	
→ 4	
→ 5	
→ 6	
→ 7	

### Power cord / power cable for Korea

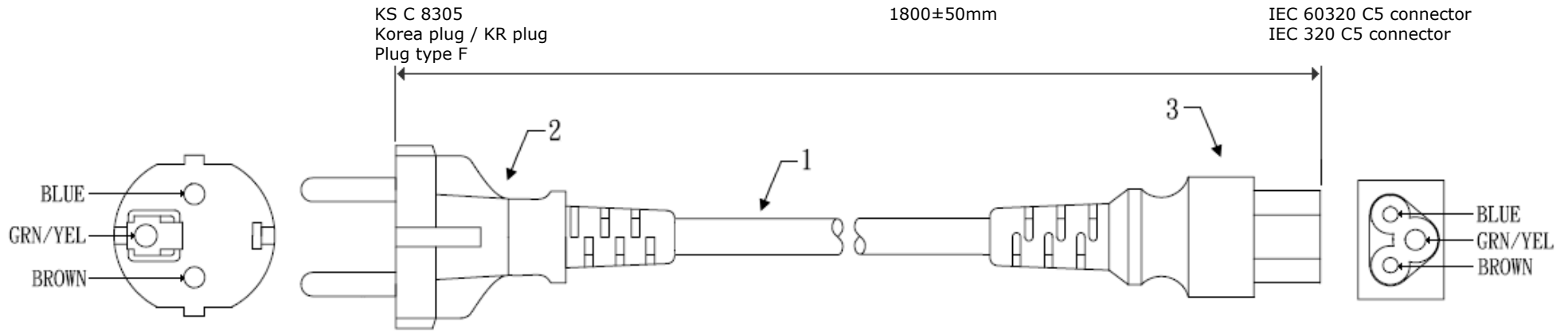


Item	Description	Qty
1	VCTF, 3x0.75mm <sup>2</sup>	1
2	Moulded KR plug 16A/250V	1
3	Moulded IEC 60320 C13 connector / IEC 320 C13 connector 10A/250V	1

**THESE DRAWINGS AND SPECIFICATIONS OF THE POWER CORD / POWER CABLE FOR KOREA ARE PROPERTY OF 2E INTERCONNECTION AND SHALL NOT BE REPRODUCED, COPIED OR USED IN ANY MANNER WITHOUT THE WRITTEN PERMISSION OF 2E INTERCONNECTION.**

DESCRIPTION	: Power cord / power cable for Korea, IEC 60320 / IEC 320 C13 connector, 1800mm, black			REVISION	
PARTNUMBER	: 0000-082-101			DRAWN	
DATE		UNIT	MM	APRD.	
SIZE	A4	SCALE			

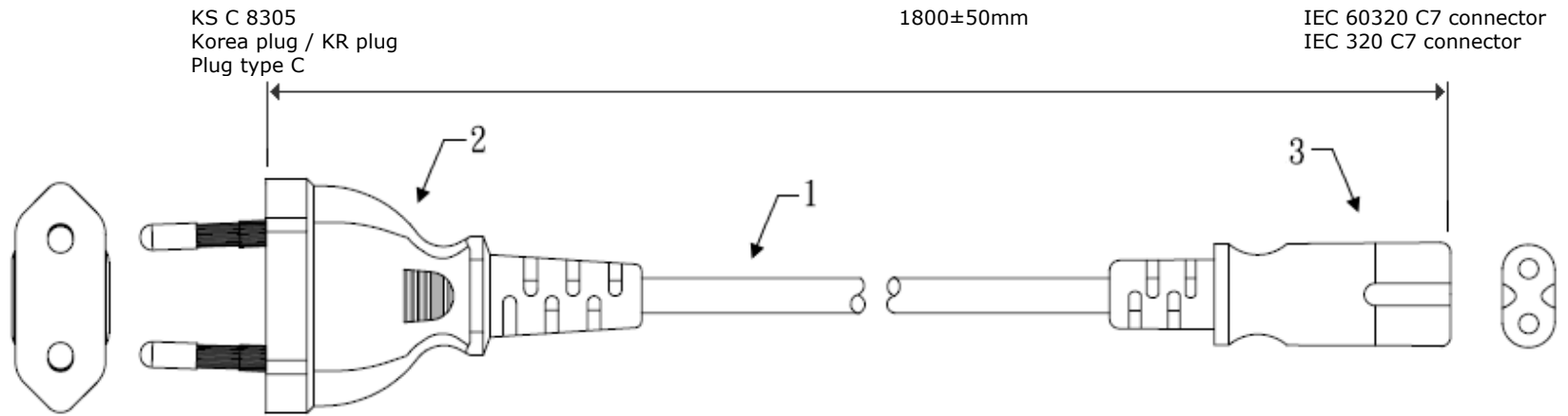
### Power cord / power cable for Korea



Item	Description	Qty
1	VCTF, 3x0.75mm <sup>2</sup>	1
2	Moulded KR plug 16A/250V	1
3	Moulded IEC 60320 C5 connector / IEC 320 C5 connector 2.5A/250V	1

**THESE DRAWINGS AND SPECIFICATIONS OF THE POWER CORD / POWER CABLE FOR KOREA ARE PROPERTY OF 2E INTERCONNECTION AND SHALL NOT BE REPRODUCED, COPIED OR USED IN ANY MANNER WITHOUT THE WRITTEN PERMISSION OF 2E INTERCONNECTION.**

DESCRIPTION	: Power cord / power cable for Korea, IEC 60320 / IEC 320 C5 connector, 1800mm, black		
PARTNUMBER	: 0000-082-102		
DATE		UNIT	MM
SIZE	A4	SCALE	APRD.

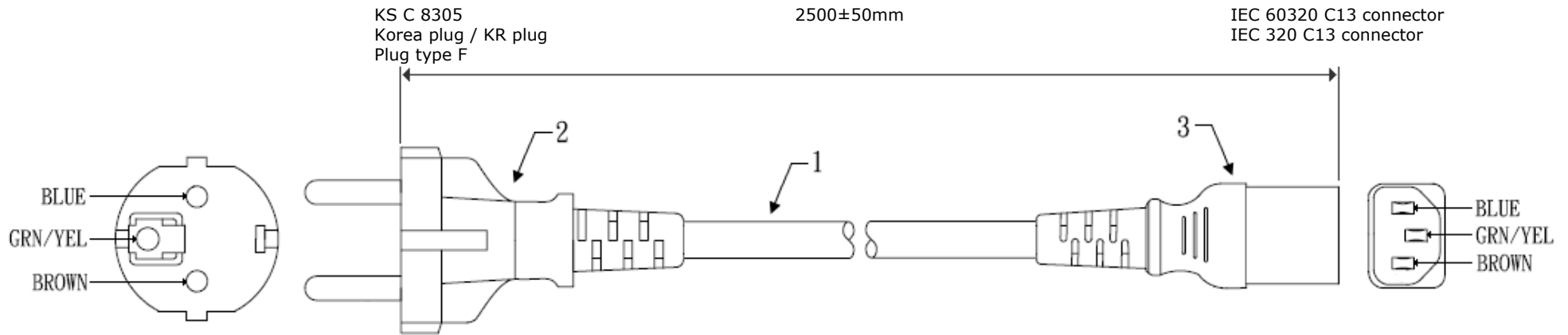
**Power cord / power cable for Korea**


Item	Description	Qty
1	H03VH-Y, 2x0.75mm <sup>2</sup>	1
2	Moulded KR plug 16A/250V	1
3	Moulded IEC 60320 C7 connector / IEC 320 C7 connector 2.5A/250V	1

**THESE DRAWINGS AND SPECIFICATIONS OF THE POWER CORD / POWER CABLE FOR KOREA ARE PROPERTY OF 2E INTERCONNECTION AND SHALL NOT BE REPRODUCED, COPIED OR USED IN ANY MANNER WITHOUT THE WRITTEN PERMISSION OF 2E INTERCONNECTION.**

DESCRIPTION	: Power cord / power cable for Korea, IEC 60320 IEC 320 C7 connector, 1800mm, black		
PARTNUMBER	: 0000-082-103		REVISION
DATE	UNIT	MM	DRAWN
SIZE	A4	SCALE	APRD.

### Power cord / power cable for Korea

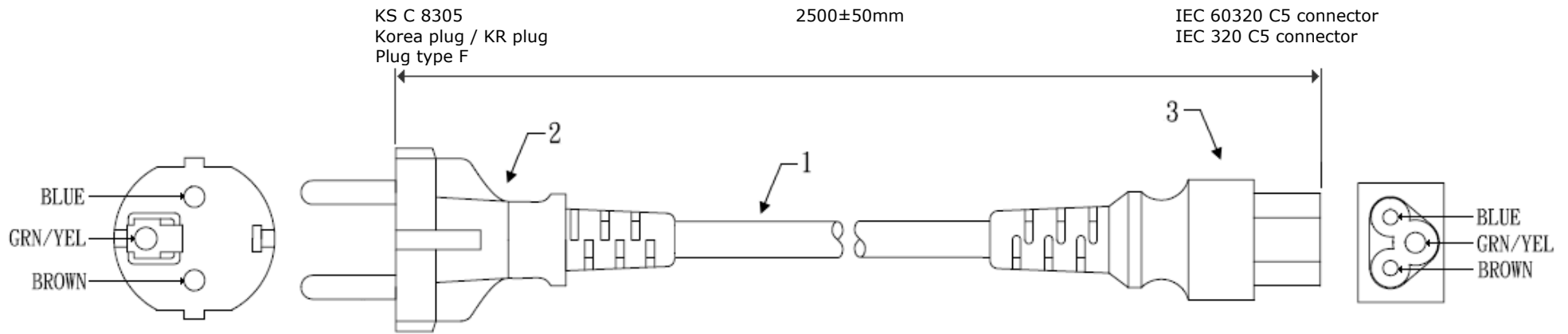


Item	Description	Qty
1	VCTF, 3x1.25mm <sup>2</sup>	1
2	Moulded KR plug 16A/250V	1
3	Moulded IEC 60320 C13 connector / IEC 320 C13 connector 10A/250V	1

**THESE DRAWINGS AND SPECIFICATIONS OF THE POWER CORD / POWER CABLE FOR KOREA ARE PROPERTY OF 2E INTERCONNECTION AND SHALL NOT BE REPRODUCED, COPIED OR USED IN ANY MANNER WITHOUT THE WRITTEN PERMISSION OF 2E INTERCONNECTION.**

DESCRIPTION	:	Power cord / power cable for Korea, IEC 60320 / IEC 320 C13 connector, 2500mm, black	REVISION	
PARTNUMBER	:	0000-082-105	DRAWN	
DATE		UNIT	MM	APRD.
SIZE	A4	SCALE		

### Power cord / power cable for Korea

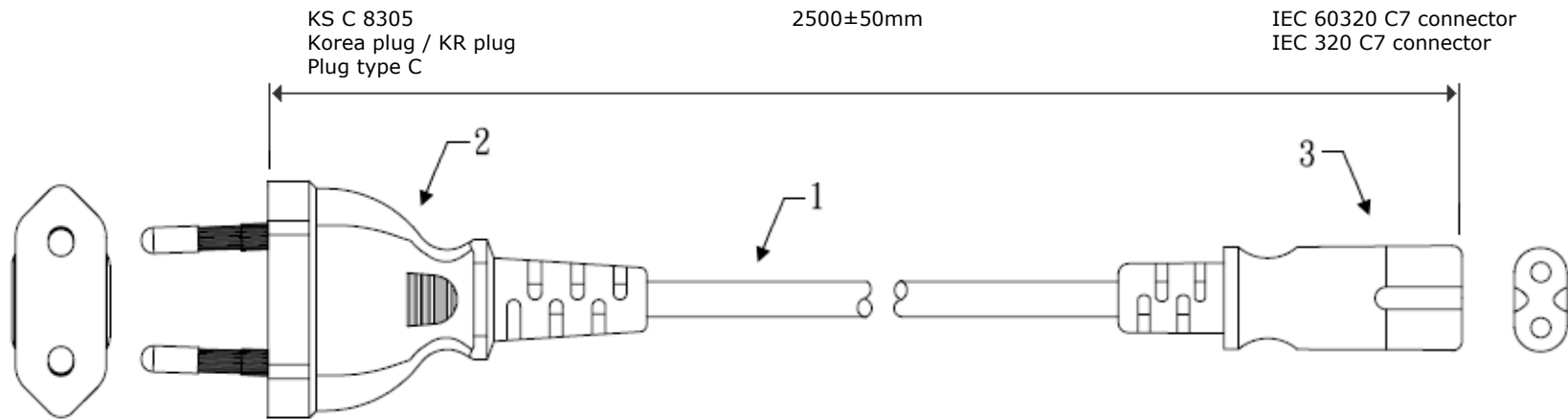


Item	Description	Qty
1	VCTF, 3x0.75mm <sup>2</sup>	1
2	Moulded KR plug 16A/125V	1
3	Moulded IEC 60320 C5 connector / IEC 320 C5 connector 2.5A/125V	1

**THESE DRAWINGS AND SPECIFICATIONS OF THE POWER CORD / POWER CABLE FOR KOREA ARE PROPERTY OF 2E INTERCONNECTION AND SHALL NOT BE REPRODUCED, COPIED OR USED IN ANY MANNER WITHOUT THE WRITTEN PERMISSION OF 2E INTERCONNECTION.**

DESCRIPTION	: Power cord / power cable for Korea, IEC 60320 / IEC 320 C5 connector, 2500mm, black		
PARTNUMBER	: 0000-082-106		REVISION
DATE		UNIT	MM
SIZE	A4	SCALE	APRD.

### Power cord / power cable for Korea



Item	Description	Qty
1	H03VH-Y, 2x0.75mm <sup>2</sup>	1
2	Moulded KR plug 7A/125V	1
3	Moulded IEC 60320 C7 connector / IEC 320 C7 connector 2.5A/125V	1

**THESE DRAWINGS AND SPECIFICATIONS OF THE POWER CORD / POWER CABLE FOR KOREA ARE PROPERTY OF 2E INTERCONNECTION AND SHALL NOT BE REPRODUCED, COPIED OR USED IN ANY MANNER WITHOUT THE WRITTEN PERMISSION OF 2E INTERCONNECTION.**

DESCRIPTION	:	Power cord / power cable for Korea, IEC 60320 / IEC 320 C7 connector, 2500mm, black		
PARTNUMBER	:	0000-082-107	REVISION	
DATE		UNIT	MM	DRAWN
SIZE	A4	SCALE		APRD.