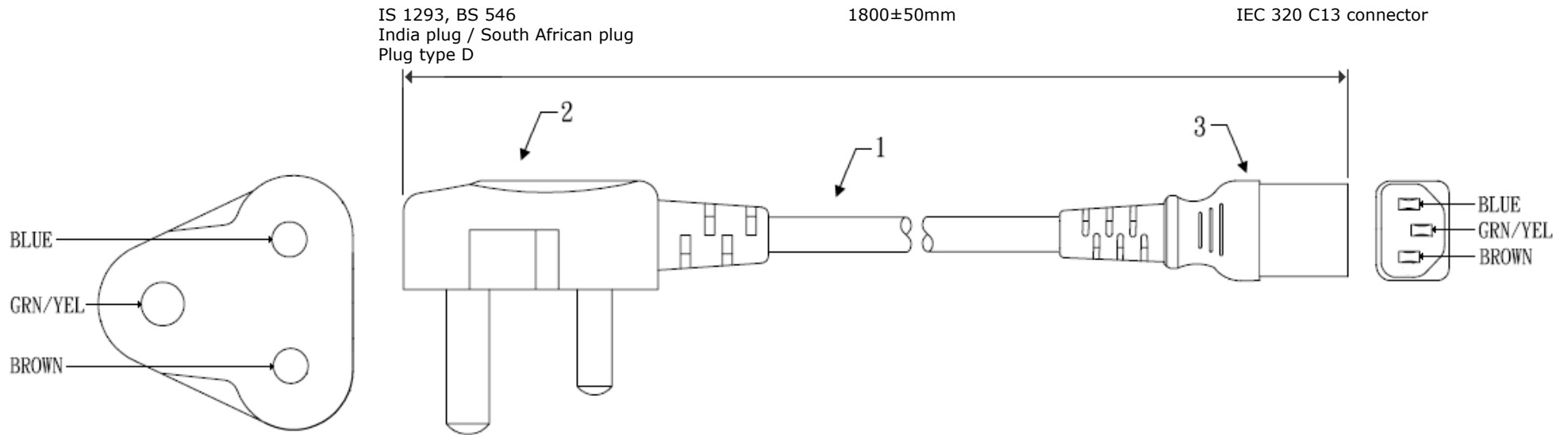


POWER CORD / POWER CABLE FOR INDIA

PAGE	CONTAINS
→ 2	
→ 3	
→ 4	
→ 5	
→ 6	
→ 7	

Power cord / power cable for India

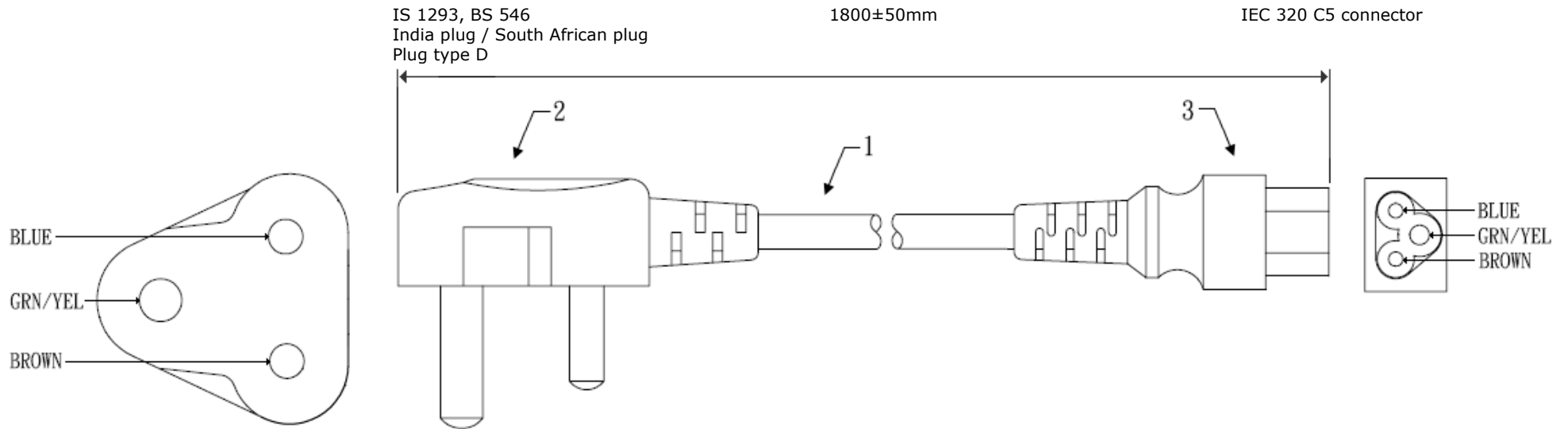


Item	Description	Qty
1	H05VV-F, 3x0.75mm ²	1
2	Moulded India plug 16A/250V	1
3	Moulded IEC 320 C13 connector 10A/250V	1

THESE DRAWINGS AND SPECIFICATIONS OF THE POWER CORD / POWER CABLE FOR INDIA ARE PROPERTY OF 2E INTERCONNECTION AND SHALL NOT BE REPRODUCED, COPIED OR USED IN ANY MANNER WITHOUT THE WRITTEN PERMISSION OF 2E INTERCONNECTION.

DESCRIPTION	: Power cord / power cable for India, IEC 320 C13 connector, 1800mm, black			REVISION	
PARTNUMBER	: 0000-027-101			DRAWN	
DATE		UNIT	MM	APRD.	
SIZE	A4	SCALE			

Power cord / power cable for India

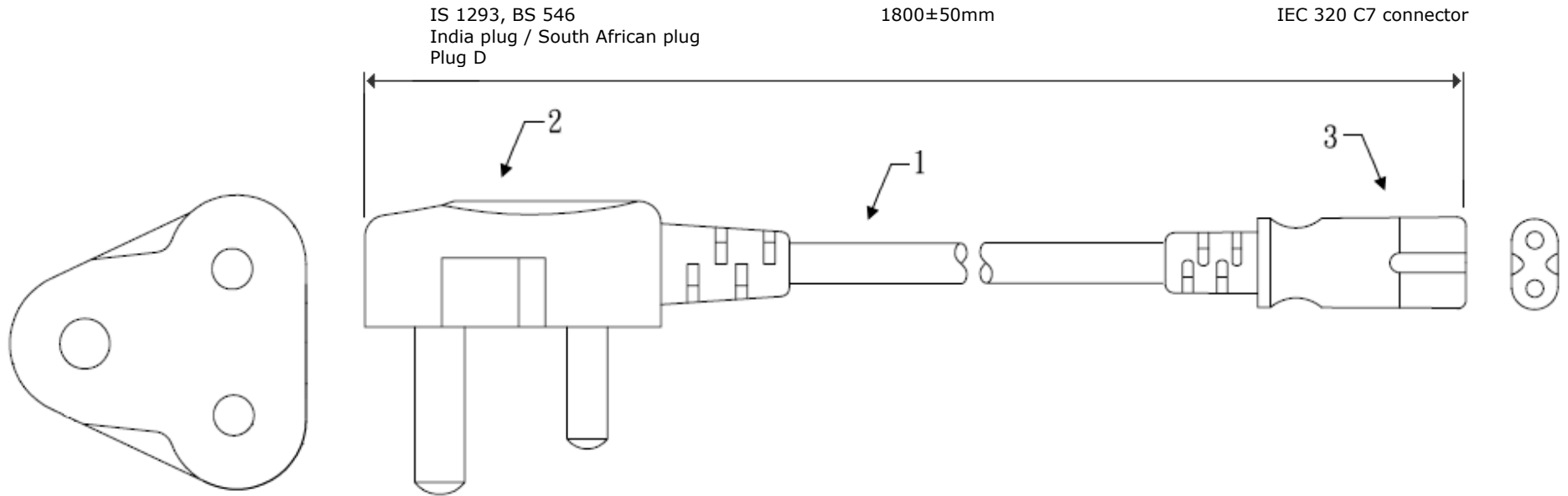


Item	Description	Qty
1	H05VV-F, 3x0.75mm ²	1
2	Moulded India plug 16A/250V	1
3	Moulded IEC 320 C5 connector 2.5A/250V	1

THESE DRAWINGS AND SPECIFICATIONS OF THE POWER CORD / POWER CABLE FOR INDIA ARE PROPERTY OF 2E INTERCONNECTION AND SHALL NOT BE REPRODUCED, COPIED OR USED IN ANY MANNER WITHOUT THE WRITTEN PERMISSION OF 2E INTERCONNECTION.

DESCRIPTION	: Power cord / power cable for India, IEC 320 C5 connector, 1800mm, black		
PARTNUMBER	: 0000-027-102		REVISION
DATE	UNIT	MM	DRAWN
SIZE	A4	SCALE	APRD.

Power cord / power cable for India

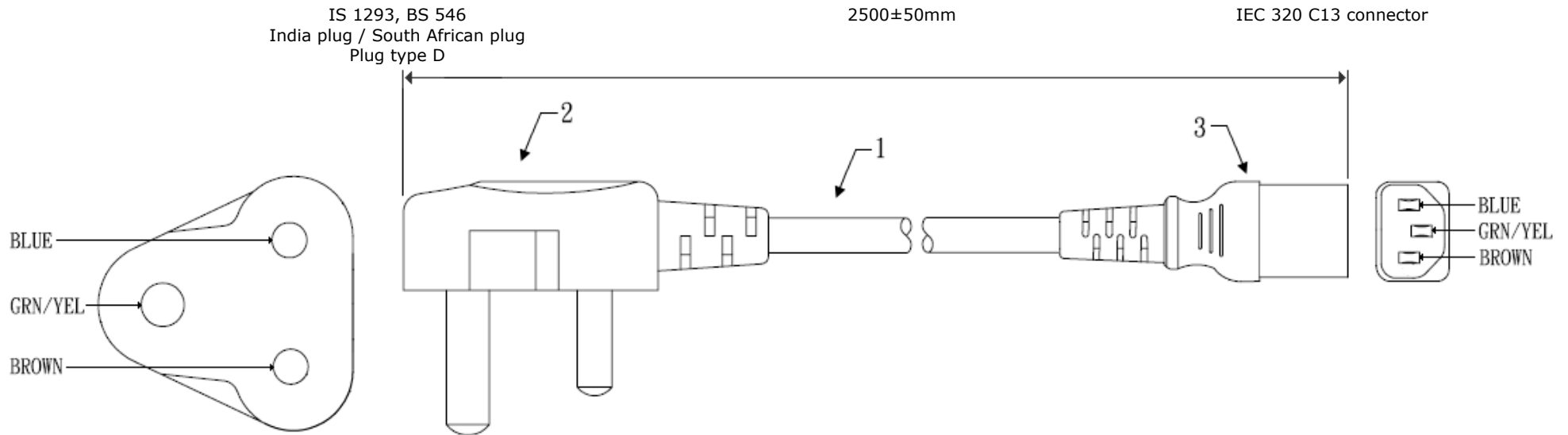


Item	Description	Qty
1	H03VVH2-F, 2x0.75mm ²	1
2	Moulded India plug 16A/250V	1
3	Moulded IEC 320 C7 connector 2.5A/250V	1

THESE DRAWINGS AND SPECIFICATIONS OF THE POWER CORD / POWER CABLE FOR INDIA ARE PROPERTY OF 2E INTERCONNECTION AND SHALL NOT BE REPRODUCED, COPIED OR USED IN ANY MANNER WITHOUT THE WRITTEN PERMISSION OF 2E INTERCONNECTION.

DESCRIPTION	:	Power cord / power cable for India, IEC 320 C7 connector, 1800mm, black		
PARTNUMBER	:	0000-027-103		REVISION
DATE		UNIT	MM	DRAWN
SIZE	A4	SCALE		APRD.

Power cord / power cable for India

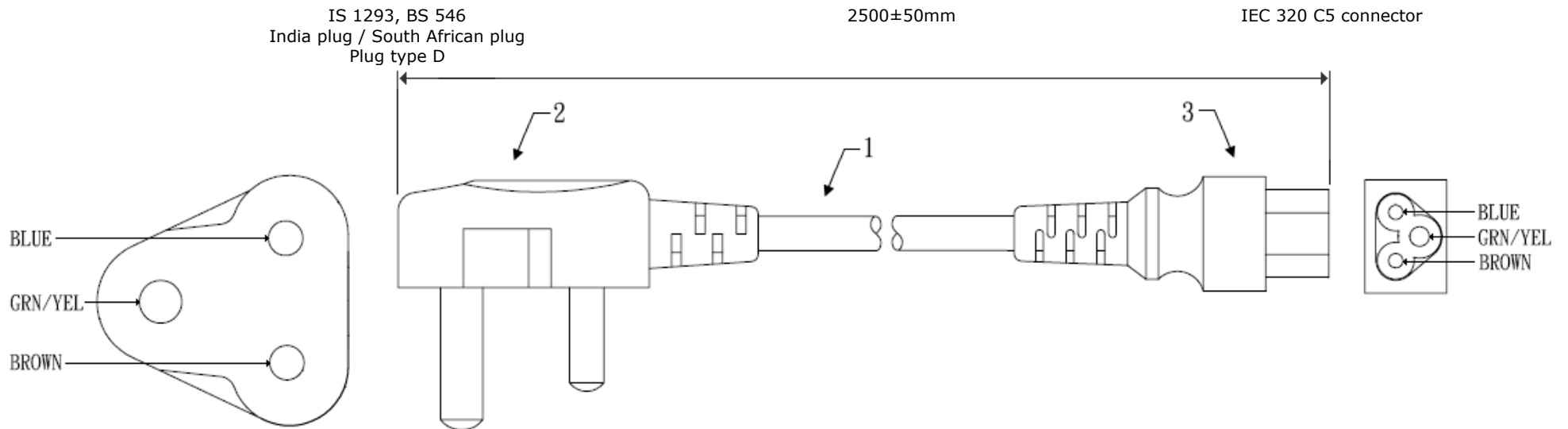


Item	Description	Qty
1	H05VV-F, 3x0.75mm ²	1
2	Moulded India plug 16A/250V	1
3	Moulded IEC 320 C13 connector 10A/250V	1

THESE DRAWINGS AND SPECIFICATIONS OF THE POWER CORD / POWER CABLE FOR INDIA ARE PROPERTY OF 2E INTERCONNECTION AND SHALL NOT BE REPRODUCED, COPIED OR USED IN ANY MANNER WITHOUT THE WRITTEN PERMISSION OF 2E INTERCONNECTION.

DESCRIPTION	: Power cord / power cable for India, IEC 320 C13 connector, 2500mm, black			REVISION	
PARTNUMBER	: 0000-027-105			DRAWN	
DATE		UNIT	MM	APRD.	
SIZE	A4	SCALE			

Power cord / power cable for India

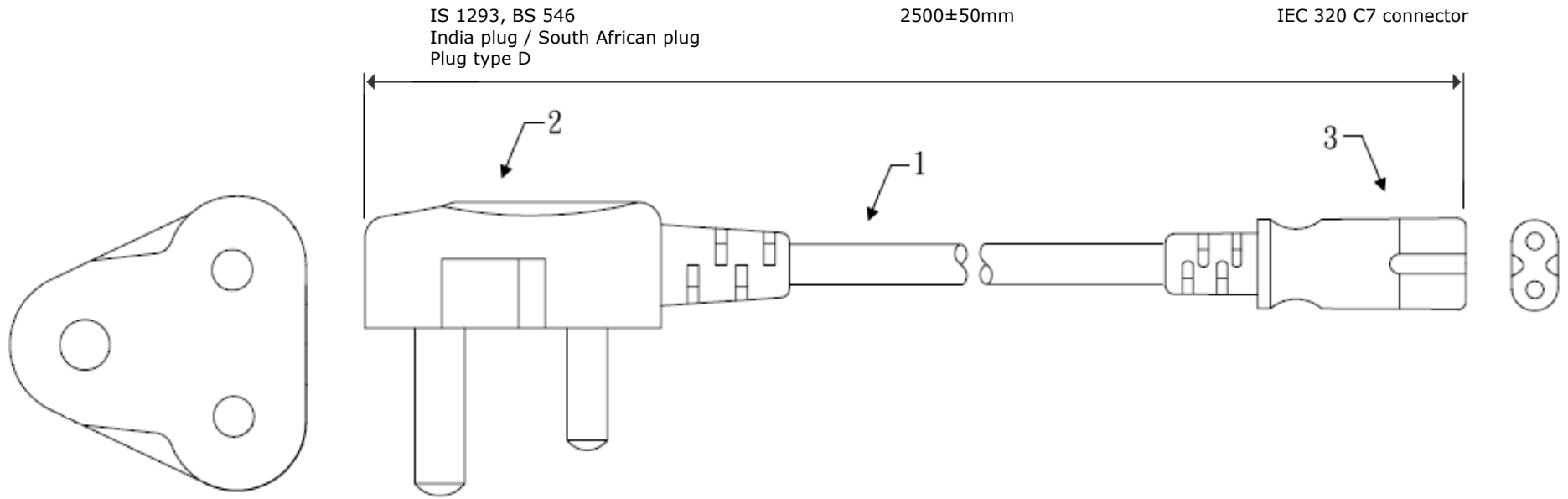


Item	Description	Qty
1	H05VV-F, 3x0.75mm ²	1
2	Moulded India plug 16A/250V	1
3	Moulded IEC 320 C5 connector 2.5A/250V	1

THESE DRAWINGS AND SPECIFICATIONS OF THE POWER CORD / POWER CABLE FOR INDIA ARE PROPERTY OF 2E INTERCONNECTION AND SHALL NOT BE REPRODUCED, COPIED OR USED IN ANY MANNER WITHOUT THE WRITTEN PERMISSION OF 2E INTERCONNECTION.

DESCRIPTION	:	Power cord / power cable for India, IEC 320 C5 connector, 2500mm, black		
PARTNUMBER	:	0000-027-106	REVISION	
DATE		UNIT	MM	DRAWN
SIZE	A4	SCALE		APRD.

Power cord / power cable for India



Item	Description	Qty
1	H03VVH2-F, 2x0.75mm ²	1
2	Moulded India plug 16A/250V	1
3	Moulded IEC 320 C7 connector 2.5A/250V	1

THESE DRAWINGS AND SPECIFICATIONS OF THE POWER CORD / POWER CABLE FOR INDIA ARE PROPERTY OF 2E INTERCONNECTION AND SHALL NOT BE REPRODUCED, COPIED OR USED IN ANY MANNER WITHOUT THE WRITTEN PERMISSION OF 2E INTERCONNECTION.

DESCRIPTION	:	Power cord / power cable for India, IEC 320 C7 connector, 2500mm, black		
PARTNUMBER	:	0000-027-107	REVISION	
DATE		UNIT	MM	DRAWN
SIZE	A4	SCALE		APRD.