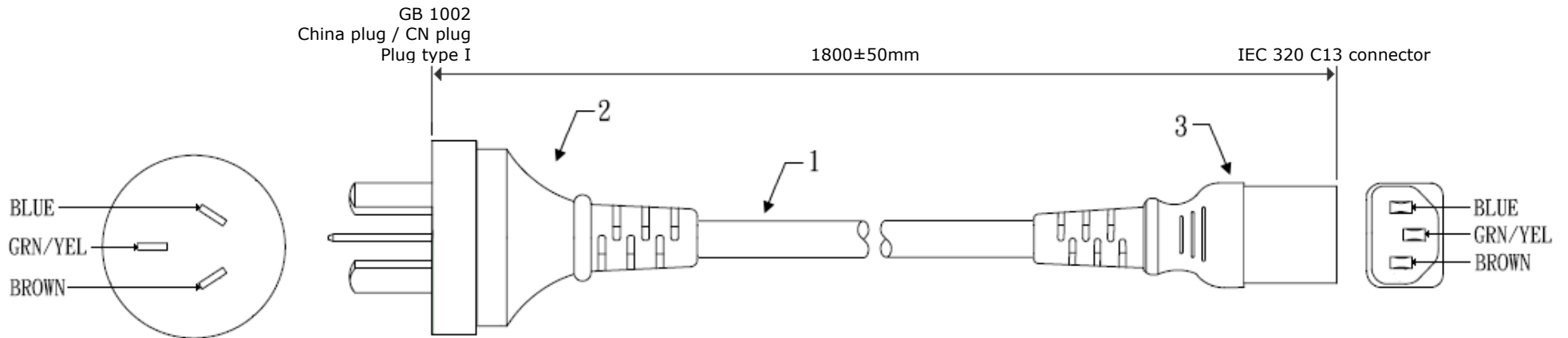


POWER CORD / POWER CABLE FOR CHINA

PAGE	CONTAINS
→ 2	
→ 3	
→ 4	
→ 5	
→ 6	
→ 7	

Power cord / power cable for China

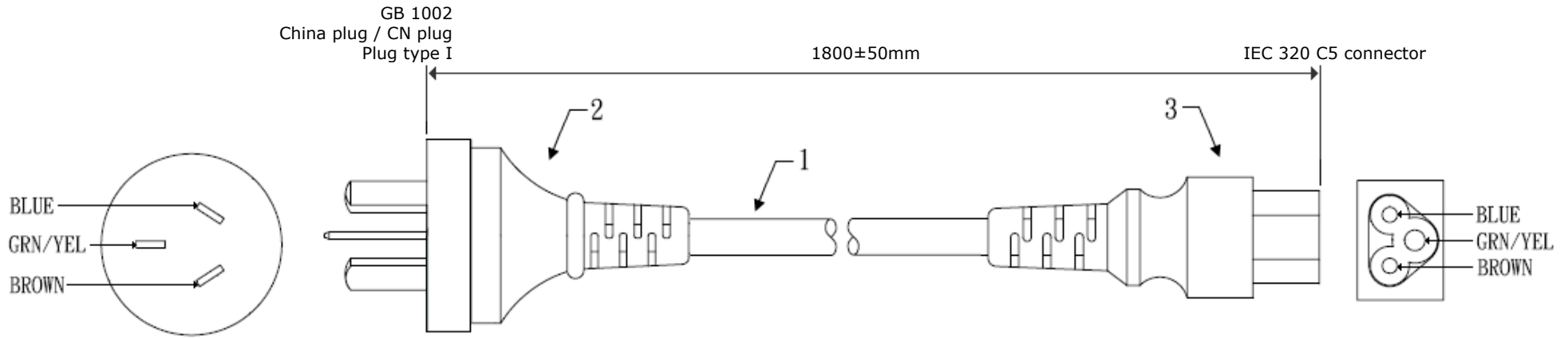


Item	Description	Qty
1	RVV, 3x0.75mm ²	1
2	Moulded China plug 10A/250V	1
3	Moulded IEC 320 C13 connector 10A/250V	1

THESE DRAWINGS AND SPECIFICATIONS OF THE POWER CORD / POWER CABLE FOR CHINA ARE PROPERTY OF 2E INTERCONNECTION AND SHALL NOT BE REPRODUCED, COPIED OR USED IN ANY MANNER WITHOUT THE WRITTEN PERMISSION OF 2E INTERCONNECTION.

DESCRIPTION	: Power cord / power cable for China, IEC 320 C13 connector, 1800mm, black		
PARTNUMBER	: 0000-086-101		REVISION
DATE		UNIT	MM
SIZE	A4	SCALE	APRD.
			DRAWN

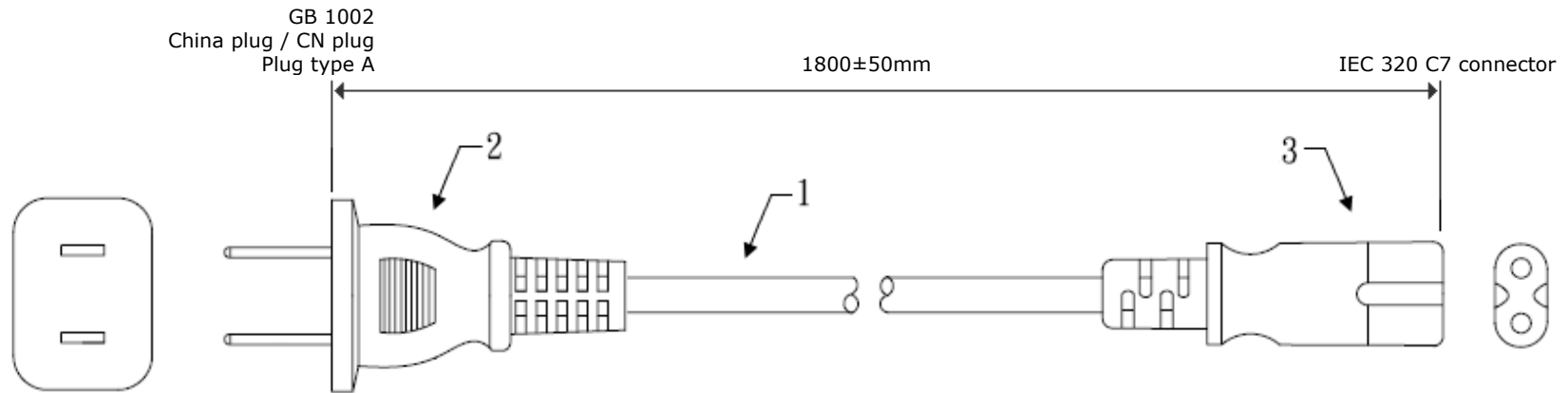
Power cord / power cable for China



Item	Description	Qty
1	RVV, 3x0.75mm ²	1
2	Moulded China plug 10A/250V	1
3	Moulded IEC 320 C5 connector 2.5A/250V	1

THESE DRAWINGS AND SPECIFICATIONS OF THE POWER CORD / POWER CABLE FOR CHINA ARE PROPERTY OF 2E INTERCONNECTION AND SHALL NOT BE REPRODUCED, COPIED OR USED IN ANY MANNER WITHOUT THE WRITTEN PERMISSION OF 2E INTERCONNECTION.

DESCRIPTION	: Power cord / power cable for China, IEC 320 C5 connector, 1800mm, black			
PARTNUMBER	: 0000-086-102			
DATE		UNIT	MM	REVISION
SIZE	A4	SCALE		DRAWN
				APRD.

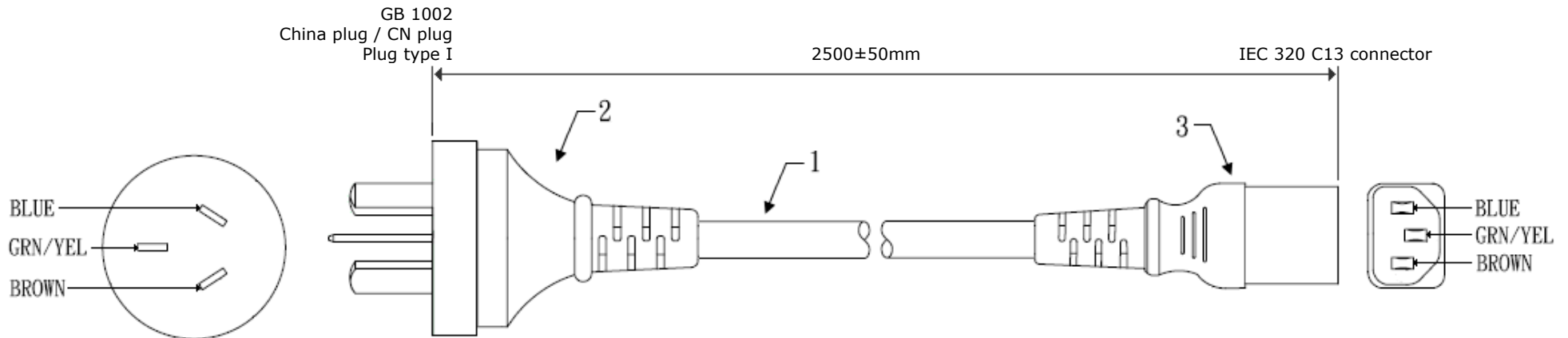
Power cord / power cable for China


Item	Description	Qty
1	RVV, 2x0.75mm ²	1
2	Moulded China plug 10A/250V	1
3	Moulded IEC 320 C7 connector 2.5A/250V	1

THESE DRAWINGS AND SPECIFICATIONS OF THE POWER CORD / POWER CABLE FOR CHINA ARE PROPERTY OF 2E INTERCONNECTION AND SHALL NOT BE REPRODUCED, COPIED OR USED IN ANY MANNER WITHOUT THE WRITTEN PERMISSION OF 2E INTERCONNECTION.

DESCRIPTION	:	Power cord / power cable for China, IEC 320 C7 connector, 1800mm, black		
PARTNUMBER	:	0000-086-103		REVISION
DATE		UNIT	MM	DRAWN
SIZE	A4	SCALE		APRD.

Power cord / power cable for China

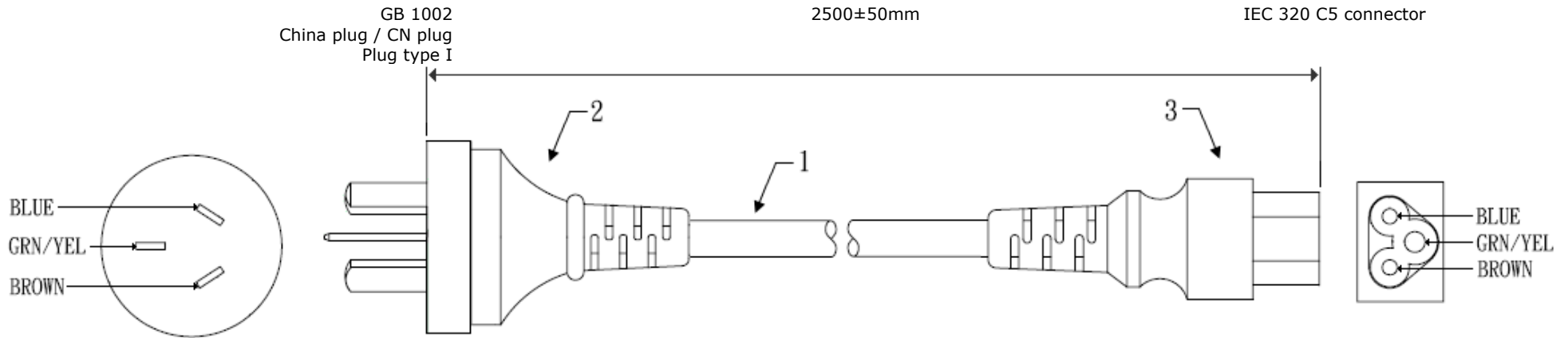


Item	Description	Qty
1	RVV, 3x1.00mm ²	1
2	Moulded China plug 10A/250V	1
3	Moulded IEC 320 C13 connector 10A/250V	1

THESE DRAWINGS AND SPECIFICATIONS OF THE POWER CORD / POWER CABLE FOR CHINA ARE PROPERTY OF 2E INTERCONNECTION AND SHALL NOT BE REPRODUCED, COPIED OR USED IN ANY MANNER WITHOUT THE WRITTEN PERMISSION OF 2E INTERCONNECTION.

DESCRIPTION	: Power cord / power cable for China, IEC 320 C13 connector, 2500mm, black		
PARTNUMBER	: 0000-086-105		REVISION
DATE	UNIT	MM	DRAWN
SIZE	A4	SCALE	APRD.

Power cord / power cable for China

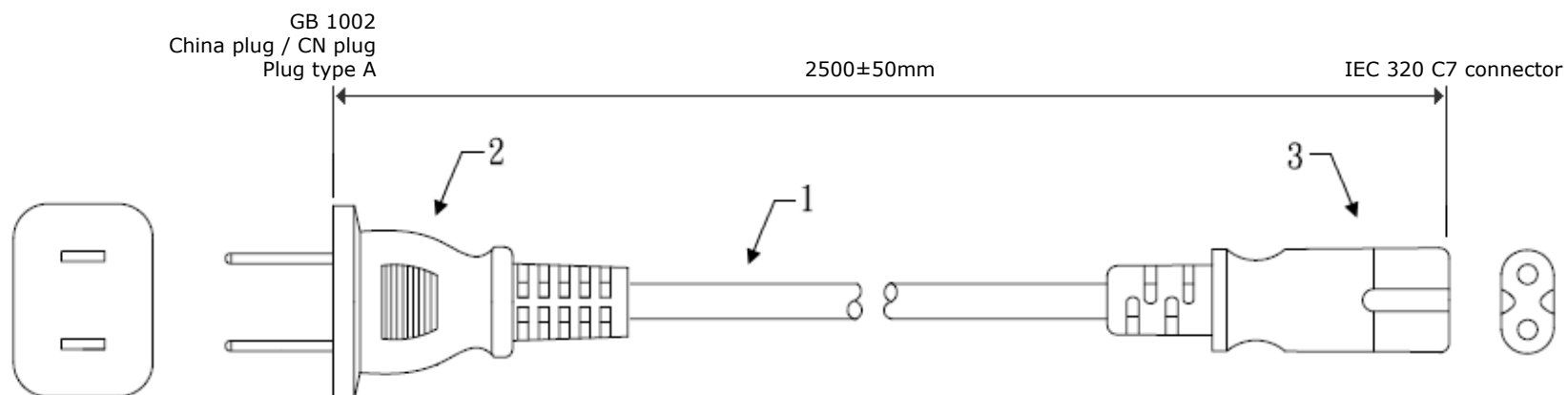


Item	Description	Qty
1	RVV, 3x0.75mm ²	1
2	Moulded China plug 10A/250V	1
3	Moulded IEC 320 C5 connector 2.5A/250V	1

THESE DRAWINGS AND SPECIFICATIONS OF THE POWER CORD / POWER CABLE FOR CHINA ARE PROPERTY OF 2E INTERCONNECTION AND SHALL NOT BE REPRODUCED, COPIED OR USED IN ANY MANNER WITHOUT THE WRITTEN PERMISSION OF 2E INTERCONNECTION.

DESCRIPTION	: Power cord / power cable for China, IEC 320 C5 connector, 2500mm, black			
PARTNUMBER	: 0000-086-106		REVISION	
DATE		UNIT	MM	DRAWN
SIZE	A4	SCALE		APRD.

Power cord / power cable for China



Item	Description	Qty
1	RVV, 2x0.75mm ²	1
2	Moulded China plug 10A/250V	1
3	Moulded IEC 320 C7 connector 2.5A/250V	1

THESE DRAWINGS AND SPECIFICATIONS OF THE POWER CORD / POWER CABLE FOR CHINA ARE PROPERTY OF 2E INTERCONNECTION AND SHALL NOT BE REPRODUCED, COPIED OR USED IN ANY MANNER WITHOUT THE WRITTEN PERMISSION OF 2E INTERCONNECTION.

DESCRIPTION	:	Power cord / power cable for China, IEC 320 C7 connector, 2500mm, black		
PARTNUMBER	:	0000-086-107		REVISION
DATE		UNIT	MM	DRAWN
SIZE	A4	SCALE		APRD.